



# AT&T MPLS Private Network Transport Services

an IP VPN solution for your domestic business needs

## Performance, Control and Flexibility for Your Networking Needs

AT&T MPLS Private Network Transport (PNT) offers a flexible path to migrate from legacy data networks to a high performing, scalable IP-based network without sacrificing the security traditionally found in dedicated private networks.

PNT is a network based IP VPN solution over the AT&T IP Network, utilizing Multiprotocol Label Switching (MPLS), an advanced switching technology.

As part of AT&T's diverse IP VPN portfolio, this service provides any-to-any connectivity to link all your domestic sites to a single IP network that easily integrates new locations and applications. AT&T's PNT is the ideal solution for customers with domestic locations who want to transition from traditional packet-based Layer 2 networks or premises-based VPN solutions to a flexible, efficient network-based IP VPN solution.

## Flexible Network, Simplified Management

### Converge Networks

Integrate multiple disparate voice, data and video networks to a single IP-based network supporting any-to-any connectivity. The flexible network enables you to efficiently add new sites and applications to the network.

### Improve Network Efficiency

Flexible addressing options support either your existing private or public LAN addressing. Static and Border Gateway (BGP) routing protocol options allow for simplified connectivity.

### Control Via Customer Defined Policies

Designed with classes of service (CoS) to enable you to classify traffic prioritization over a single infrastructure, allowing high levels of performance for voice, video and data, while also providing efficient use of bandwidth.

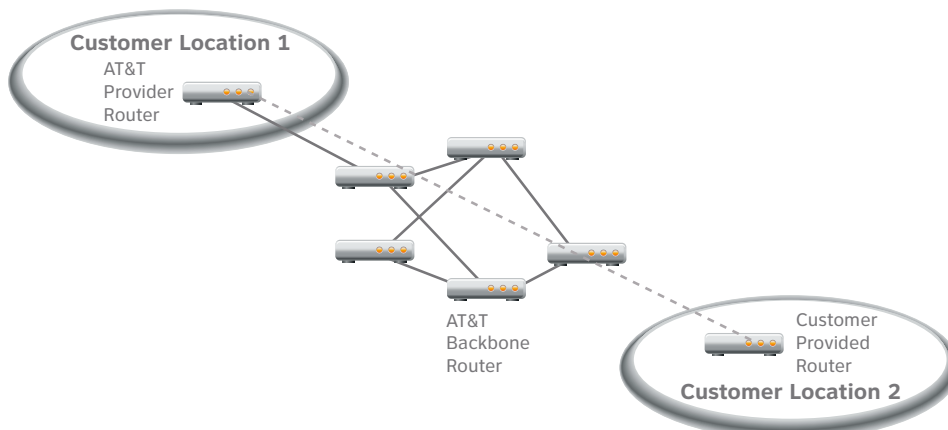
## Benefits

- Secure, reliable network architecture providing any-to-any connectivity for domestic U.S. sites
- Optional management capabilities providing the level of control you require
- Flexibility to easily add new locations, applications and features to the network
- Improve application performance using classes of service (CoS) to prioritize traffic
- Ease of budgeting, accounting and reconciliation with flexible billing options
- Simplify network management with easy to use web based tools

## Features

- Domestic U.S. availability including Hawaii, Alaska, U.S. Virgin Islands and Puerto Rico
- AT&T provided router and customer provided router options
- MPLS inherent security
- Traffic prioritization using classes of service (CoS)
- Flat rate and Usage based billing options
- Service Level Agreements
- Award winning AT&T BusinessDirect® web portal access to reporting,

## AT&T MPLS Private Network Transport



**Flexible Management Capabilities**

Management options provide you with the level of control you require. PNT offers a management continuum including customer managed and AT&T managed IP VPNs, so you have the ability to determine which is right for your enterprise.

**Visibility to the Network**

Easily review network performance, manage ticketing and review prior months billing through web-based management tools.

**Reliable Performance****Network Reliability and Flexibility**

The AT&T IP Network performs consistently with the highest levels of availability and easily scales to accommodate new sites and applications.

**Security and Business Continuity**

Fully meshed network provides network diversity via IP routing. Inherent MPLS network-based security ensures the integrity and availability of communications across the network.

**Service Level Agreements**

Service Level Agreements (SLAs) establish performance objectives for network availability, performance and reliability, allowing for management of mission-critical applications.

**Web-based Portal**

Access to reports on performance and utilization allowing you to monitor your network making informed decisions on traffic allocation and network usage.

**For more information contact your AT&T Solution Provider.**